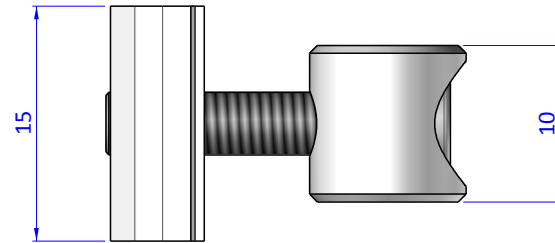
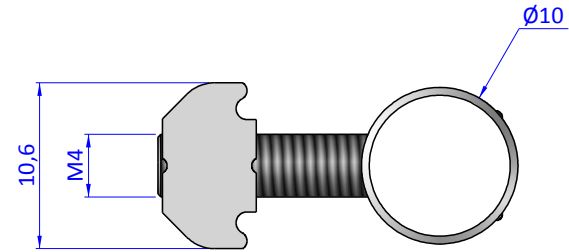
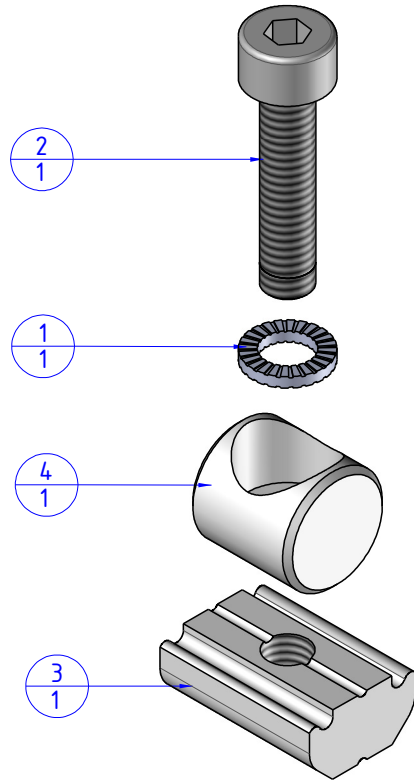



THE PROPERTY OF THE DRAWING IS ESTABLISHED BY LAW. IT IS FORBIDDEN TO PRODUCE OR SHOW IT TO THIRD PARTY, WITHOUT A WRITTEN AGREEMENT.

Item	Name	Q.ty
1	R.4.SCH	1
2	V.TCE4x18	1
3	CA.GWP.4U	1
4	UVV.X.25.S	1



Format A3

UNI 936-76

 FPS SERVICES AUTOMATION		DESIGNED FROM		REVIEW
		FPS Automation		A
GENERAL TOLERANCE		DATE	WEIGHT	
UNI - ISO 2768		29/05/2019	0,006kg	
CLASSE f	DESCRIPTION	CODE		
	CA.UVV.X.25.S	CA.UVV.X.25.S		